

دليل كتابة خطة البحث

لرسائل الماجستير والدكتوراه

١٤٢٦هـ - ٢٠٠٥م

بسم الله الرحمن الرحيم

فہرست

٦

.....

.....

.....

.....

.....

.....

.....

.....

.....

.....

.....

.....

.....

.....

.....

.....

.....

.....

.....

.....

.....

.....

.....

•

•

•

•

•

•

•

•

•

•

•

•

•

•

•

•

•

•

•

•

o

()

(seminar)

-:

:

-

•

•

٦

•

—

•

•

•

—

—

—

•

•

•

•

Y

:

•

:

-

-

-

-

-

:

•

^

(...) (Statement)

.

.

.

:

•

.

.

:

•

.

:

•

.

.

9

:

•

•

•

•

:

•

.

:

•

.

:

•

.

:

(

.

1.

(

(

:

•

:

:

•

:

•

.

:

•

:

•

(/)

:

•

:

•

Traditional Arabic

()

. []

. MS Word

()

()

. Garamond

.

:

.

.

.

.

.

.

.

:

•

"

"

:

:

...

()

-

... ()

-

...

-

:

•

:

:

")

("APA

۱۳

:



:() . .

:

(. . "APA ")

:

:



"

-

() "APA

" ()

-

"

APA

.()

" ()

-

() "APA

:



.

١٤

()

:

:

.

.

().

.()

:

•

-

.

-

.()

-

.()

: (APA)

. .

()

.()

.()

()

.
:

.() .

() .

-

:

- . ●
- . ●
- . ●
- . ●

-



.() .().

. :

:

. : . .().



: .() .().

.

:

.().

. : .



. : .().().()

:

. : .().().



.()(.)

. :

:



()

:

. . .() .

.()

:

.() .

-

/

. - .() .

.() .

-

. - .() .

/

$$\frac{1}{x^2} = x^{-2}$$

$$\frac{d}{dx} x^{-2} = -2x^{-3} = -\frac{2}{x^3}$$

$$\frac{d}{dx} \left(\frac{1}{x^2} \right) = -\frac{2}{x^3}$$

$$\frac{d}{dx} \left(x^{-2} \right) = -2x^{-3} = -\frac{2}{x^3}$$

$$\frac{d}{dx} \left(\frac{1}{x^2} \right) = -\frac{2}{x^3}$$

$$\frac{d}{dx} \left(x^{-2} \right) = -2x^{-3} = -\frac{2}{x^3}$$



. () .
 . : . () . ()
 :
 . () .
 . () .



. () . () . ()
 . :
 :
 : . () . ()
 .
 . () . () . ()
 . :
 :
 . () . () .
 : . (-) .

۲.

.() .().

. : .

:

.().

. .

. :

.() .().

. : .()

:

.().

. .

.

:

) .().

. : .()).(



۲۱

: .() .().



. : .() .().

.().

.() . :



. . .().
: .() .()

.(). .().

: .(-) .

۲۲



. : .() .())

:

:

. : .() -

-



) . . . () .

(

:

() .

. - .



. . . () .

()

:

() .

.

. - () .



() . () .

. . .

۲۴

.() .

. : . :



. .() .

. ()

:

. . .() .



. .() .

. .()

:

. . : .() .

.

-

:

.() .().
] . . .
 .[] [:
 (Vaughan) .().

<http://www.arabicl.org/>

/ /
<seerah/Vaughan1.php>

-



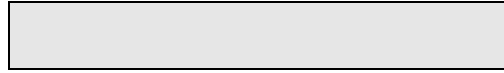
) .().
 .() .[].(:
 : :
 .().
 : :



: .[].() .().
 .

:

. : .[] . ().



.[] . ().

. () .

. :

:

().

().

. []

. :

—

:

Books:

Gall, M., Borg, W. & Gall, J. (1996). **Educational research: An introduction**. 6th Ed. New York: Longman.

Journals:

- Citing articles in journals with continuous pagination:

Bean, J., & Kuh, G. (1988). The relationship between author gender and the methods and topics used in the study of college students. **Research in Higher Education**, 28 (2), 130-144.

- Citing articles in journals with non-continuous pagination:

Baumberger, J., & Bangert, A. (1996). Research designs and statistical techniques used in the Journal of Learning Disability, 1989-1993. **Journal of Learning Disability**, 29, 313-316.

- Citing articles in monthly periodicals:

Chandler-Crisp, S. (1988, May) "Aerobic writing": a writing practice model. **Writing Lab Newsletter**, pp. 9-11.

- Citing articles in weekly periodicals

Kauffmann, S. (1993, October 18). On films: class consciousness. **The New Republic**, p.30.

- Newspaper articles

Monson, M. (1993, September 16). Urbana firm obstacle to office project. **The Champaign-Urbana News-Gazette**, pp. A1, A8.

- ERIC Documents:

Kennedy, R. (1988, January). **Statistical methodology content analysis of selected educational research journals**. Research reports, general information analyses, AR. (ERIC Document Reproduction Service No. ED298138)

Dissertations:

- Unpublished Thesis or Dissertation:

Alhassan, R. (2004). The effect of assigned achievement goals, self-monitoring, interest in the subject matter, and goal orientations on students' computer skill achievement, use of learning strategies, and computer self-efficacy beliefs (**Doctoral dissertation**, The Florida State University, 2004).

- Dissertation obtained from Dissertation Abstracts International (DAI):

Al Kathiri, Saud. (2002). The Characteristics of Master's Theses Conducted in the Department of Curriculum & Teaching Methods from 1983 through 2002 at King Saud University, Saudi Arabia. **Dissertation Abstracts International**, 11 (01), 55B. (UMI No. 931597)

Electronic Information

- Article obtained from the internet or a full-text database:

Stemler, S. (2001). An overview of content analysis. **Practical Assessment, Research and Evaluation**, 7 (17). [Available online]. Retrieved April 1, 2002 from <http://ericae.net/pare/getvn.asp?v=7&n=17>

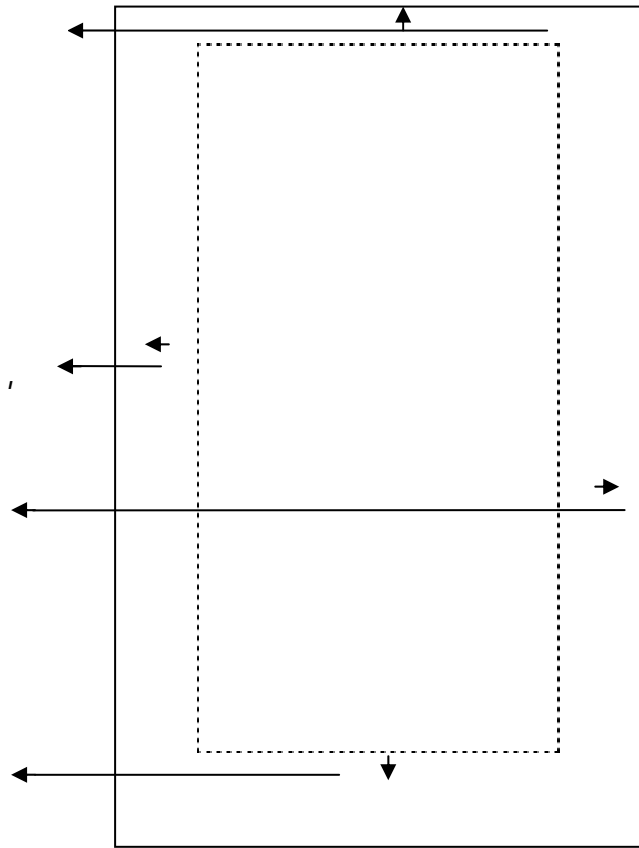
•

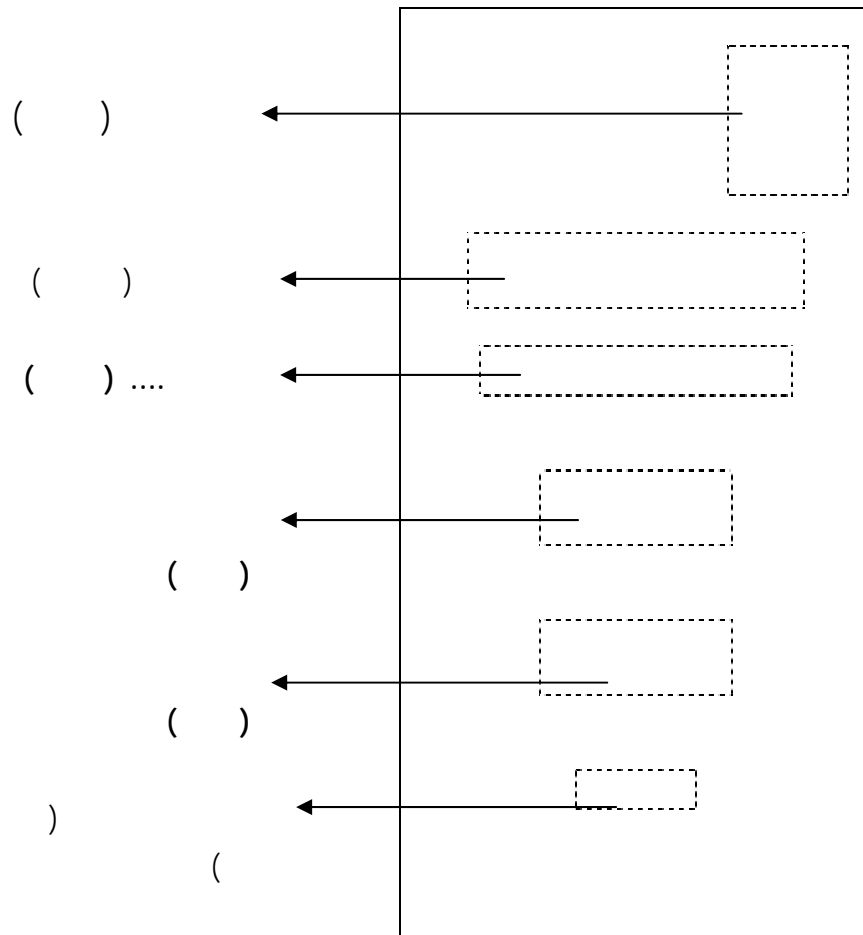
•

•

•

۳.





[] .

[enter]

[]
[Enter]

[]
[Enter]

[]
[]

[]
[Enter]

[]
[]

[]
[Enter]

[]

•
—